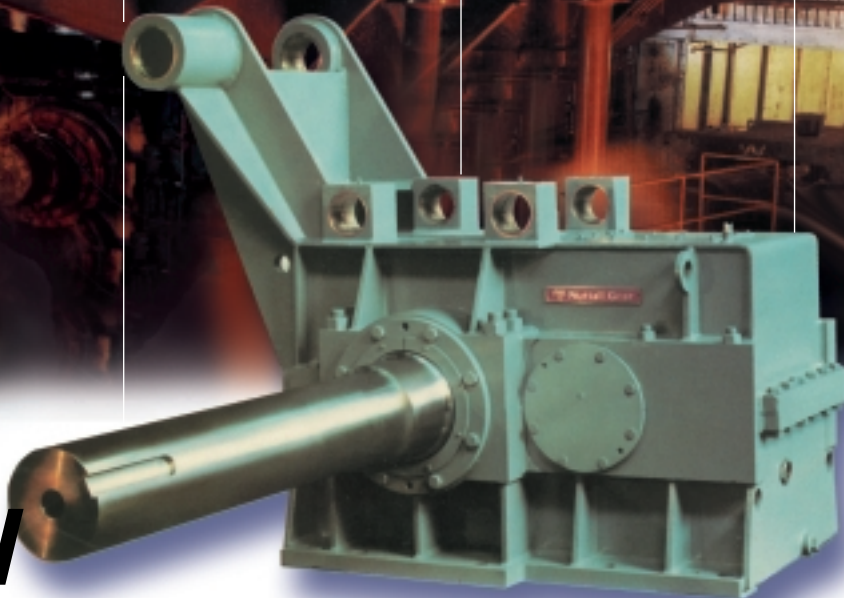
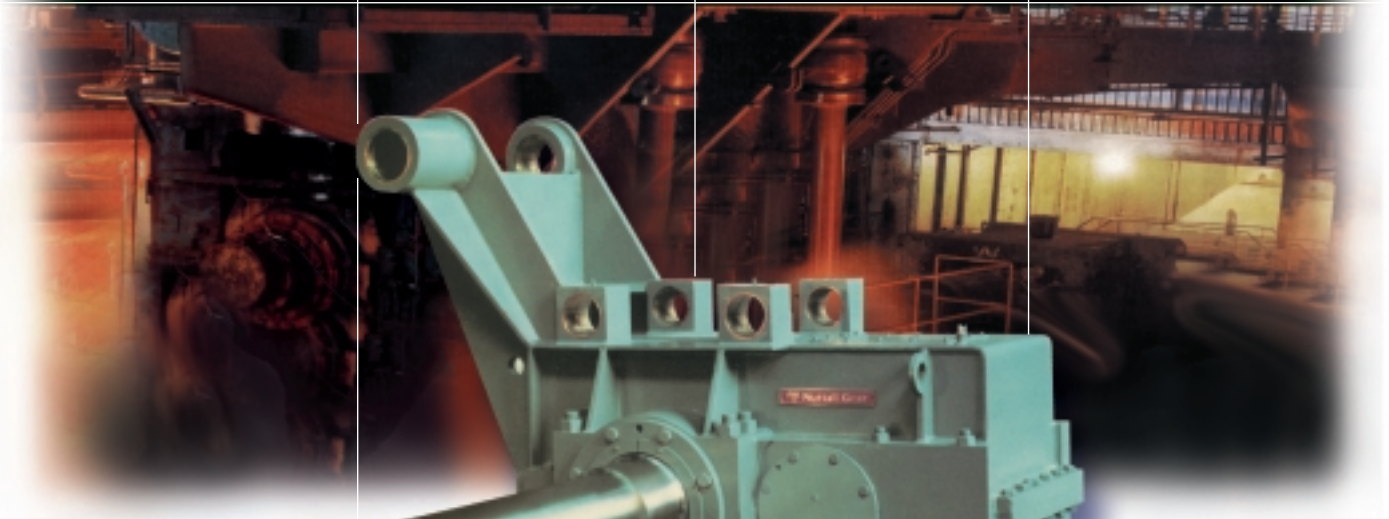


Nuttall Gear

Serving The Metals Industry



Nuttall
Gear

800-724-6710

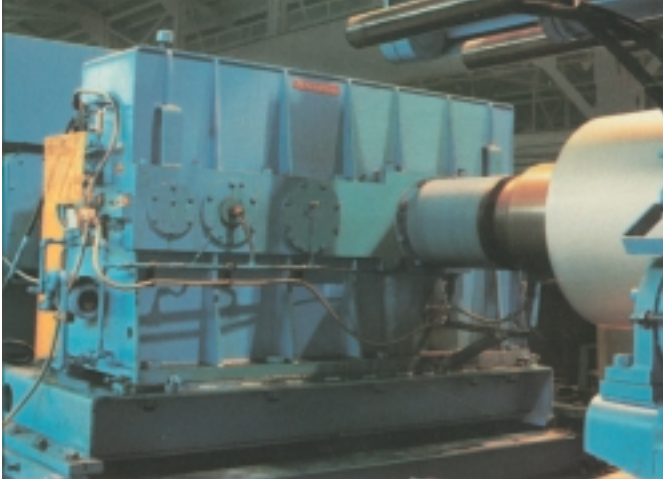
**YOUR
TOTAL
DRIVE
SOURCE**



Custom Engineered Products For The Metals Industry

Nuttall Gear...

...supplies the metals industry with a wide variety of gear drives for its many different applications. Combination reducer/pinion stands, separate pinion stands, pinch roll drives, flattener drives, single and multi-speed recoilers and uncoilers, all have been produced for mills and processing lines all over the world. Features such as hollow-bored low speed shafts, provisions for stripping mechanisms and hold-down rolls are designed to customer requirements.



Nuttall Gear...

...will custom design and manufacture units to your requirements or we will manufacture them to your design. We combine our extensive application experience and computer assisted design technology to produce reliable enclosed gear drives for all of your ferrous and non-ferrous material processing requirements.

Size 2ST34R Recoiler drive with two speed "pneumatic" Shifter.

Nuttall Gear...

...is recognized world wide as a high quality supplier of gear drives and specialized gearing services for the metals, paper, plastic, rubber, material handling and process industries. From the standard to the custom design, we provide the broadest product line capability in the industry. Our Maag gear checker helps to insure the quality and accuracy of our gear products.



Size D11 double reduction, "limited backlash" design on a Scrap Chopper.



Squeegy Roll drives combining a size U54D "Moduline®" concentric gear reducer with a PS6 vertical offset parallel shaft splitter drive.

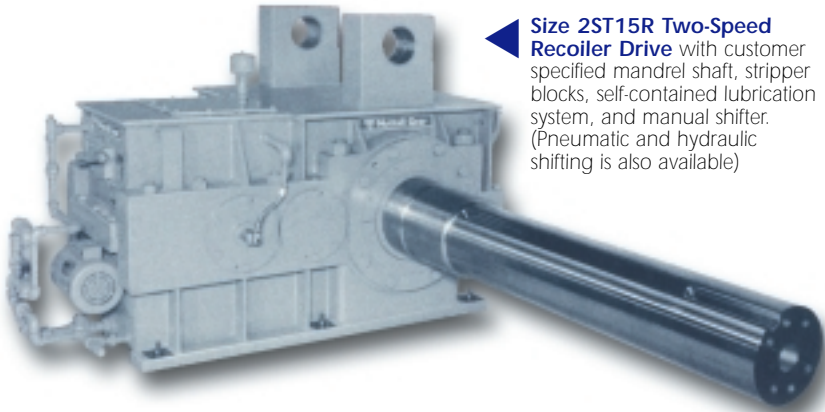
Total Drive Source...

...is more than a slogan - we are the only company that specializes in providing complete packaged assemblies of both mechanical and electrical drive components. You receive it ready to run, not ready to assemble. You will also find our composite drawings are the best around. You can't get this kind of service from any other company in the world.

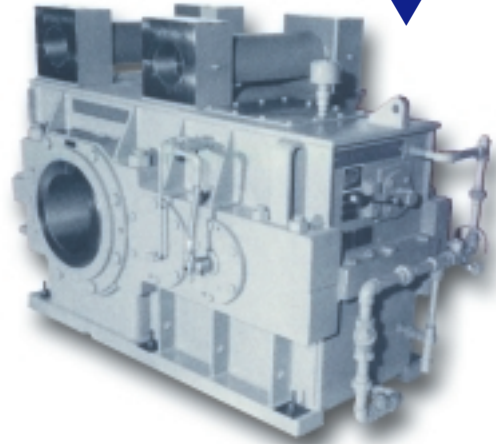
But we don't stop there...we are a full service company that provides field service assistance and rebuild service for all enclosed gear drives.

Nuttall Gear is a customer driven company with a history of high standards and performance ... and we work to keep it that way.

You can count on it.

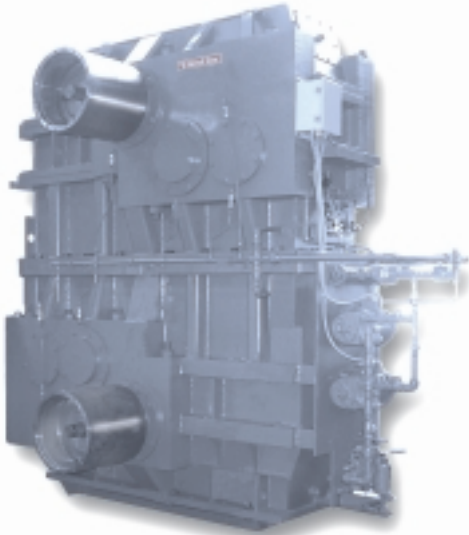


Size **2ST15R Two-Speed Recoiler Drive** with customer specified mandrel shaft, stripper blocks, self-contained lubrication system, and manual shifter. (Pneumatic and hydraulic shifting is also available)



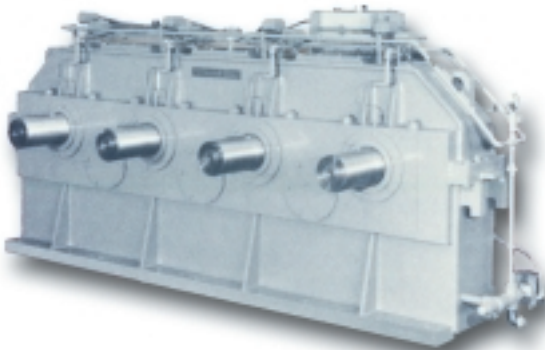
Size **2SD17R-Q Two-Speed Recoiler Drive** with custom designed quill shaft, stripper blocks, self-contained lubrication system, and manual shifter. (Pneumatic and hydraulic shifting is also available)

2-Speed, Twin-Pinion Mill Stand Drive with pneumatic shifter and force-feed lube system.

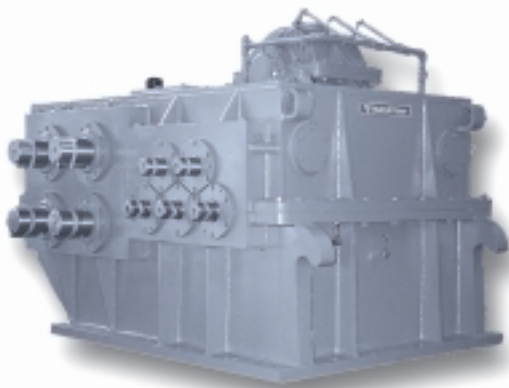
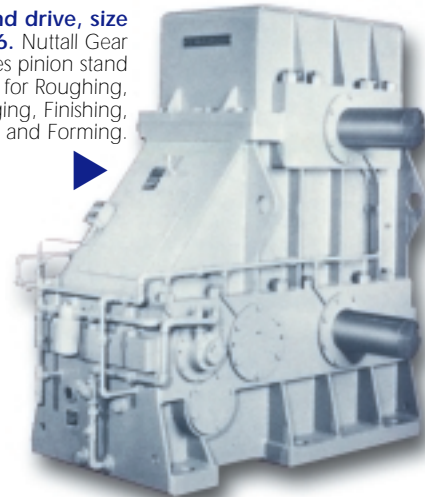


Nuttall Gears "Zero Backlash" Slitter Drive, size WS12/11. Nuttall Gear also designs "zero" or "limited" backlash Shear and Scrap Chopper drives.

Straightener Drive with force feed lubrication system. Nuttall Gear will custom engineer any multiple drive shaft configuration required.

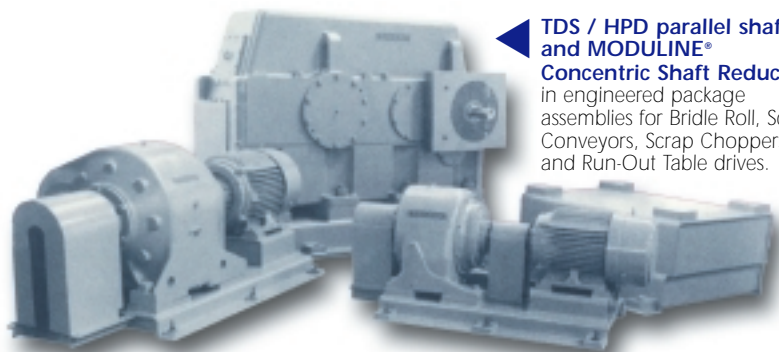


Pinion Stand drive, size PST 36. Nuttall Gear manufactures pinion stand drives for Roughing, Reducing, Edging, Finishing, and Forming.



Leveller or Flattener Drive. Nuttall Gear custom designs multi-shaft drives to our customer's specific roll separation requirements.

TDS / HPD parallel shaft and MODULINE® Concentric Shaft Reducers in engineered package assemblies for Bridle Roll, Scrap Conveyors, Scrap Choppers, and Run-Out Table drives.



Innovation and Excellence... The Tradition Continues



Our History

The RD Nuttall Company was founded by Mr. R.D. Nuttall in 1887 with one gear cutter, five men and a combined capital of \$500.

From this modest beginning, the company grew and prospered, and over the next 42 years made numerous contributions to the gear industry. It was Nuttall that developed flexible gearing for transportation applications, forced feed lubrication for large industrial enclosed gear drives, and manufactured the first integral type gearmotor. And it was Nuttall that made one of the most significant contributions to the field of gear engineering: single helical gears.

In 1928, Westinghouse Electric Corporation purchased the business from Mr. Nuttall. Although the name changed, the original commitment to excellence did not. Nuttall was known for its innovation and engineering, for it was our company that developed the modern form of the gearmotor which is used by gear manufacturers all over the world today.

February 1983 signified yet another step forward in Nuttall Gear's history. At that time, we once again became a privately held corporation, continuing the tradition of leading the industry in technology – such as pioneering the use of ion-nitriding for heat treating, and the use of our MAAG SP-160, the ultimate machine available to confirm gear quality.

In 1997, Nuttall Gear was acquired by the Colfax Corporation and is currently part of the Colfax Power Transmission Group, Engineered Driveline Products.

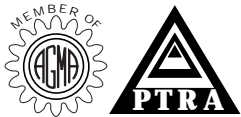
While there have been corporate changes over the years, some things never change, like your need for durable, dependable gears, and our commitment to excellence in both product and service.



Nuttall Gear / Delroyd® Worm Gear

PO Box 1032
Niagara Falls NY USA 14302-1032
Tel 716-731-5180
Fax 716-731-9329
E-Mail: nuttall@nuttallgear.com
www.nuttallgear.com

Delroyd® Worm Gear Speed Reducers and Worm Gear Sets
Type TDS / HPD Parallel & Right Angle Shaft Speed Reducers
Moduline® Concentric Shaft Speed Reducers & Gearmotors
Type SU & Type SD High Speed Gear Drives
Type RV Right Angle Vertical Speed Reducers
Veri-Dri Vertical Concentric and Parallel Shaft Drives
Metals Industry Gear Drives
Custom Engineered Drives



A Member Of

