

Rebuild and Retrofit Program

24 hours-a-day / 7 days-a-week



Power Generation
Petro-Chemical

Ameridrives[®]
Couplings

P.O. Box 4000

Erie, PA 16512-4000

Telephone: 814-480-5000

Fax: 814-453-5891

www.ameridrives.com



INDUSTRIAL MAGZA[®]
DIST. AUTORIZADO

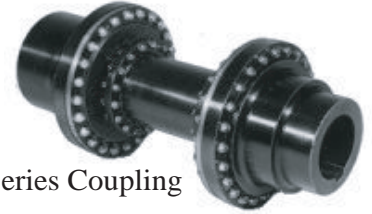
MEX (55) 53 63 23 31

MTY (81) 83 54 10 18

QRO (442) 1 95 72 60

ventas@industrialmagza.com

Introduced in 1971, the **Ameriflex** multiple-convoluted diaphragm coupling continues to set new standards for life and reliability in high performance applications for power generation and petrochemical markets.



Ameriflex RR Series Coupling

Retrofit Upgrade

Ameriflex diaphragm couplings are custom designed for critical high performance petrochemical and power plant applications including:

- Compressors
- Generators
- Fans
- Pumps
(specifically, boiler feed pumps)

Upgrading to **Ameriflex** couplings provides the following benefits:

- Infinite life design
- No required maintenance or lubrication
- Low end thrust and bending moment
- Significant life cycle cost savings



Inspection Rebuild

Too often during scheduled turnarounds, the coupling is forgotten until 24-hours before start-up. Costly delay can be avoided if the coupling is submitted for complete inspection early in scheduled turnarounds. Inspections can include:

- Cleaning
- Visual Inspect
- Dimensional Inspect
- NDE

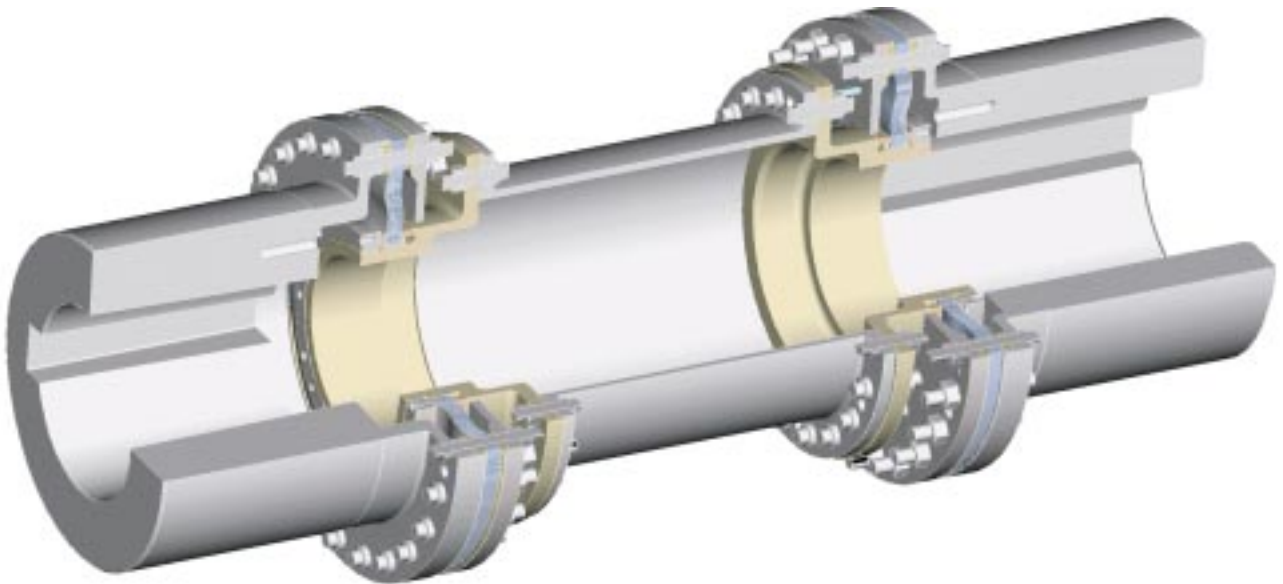
Our work scope can include part rework, fastener replacement, balancing to original specifications or total replacement.

We stock raw material, semi-finished and finished components for gear and dry couplings and also have the ability to machine bolts for special applications.

Ameridrives Couplings and **Shackelford-Wattner**, working as a team at two locations, are able to respond to your repair needs immediately with expedited service and factory support.

Services Provided

- Precision High-Speed Gear Couplings**
- Non-Lubricated Diaphragm Couplings**
- API 671 Special Purpose Couplings**
- Balancing**
- Replacement Parts**
- Expedited Delivery Available**
- Inspection and Repair of Couplings**
- Special Replacement Fasteners**
- Plug and Ring Gage Sets**
- Lapping Tools**



Erie, Pennsylvania
Phone: 814-480-5000
Fax: 814-453-5891
www.ameridrives.com



Houston, Texas
Phone: 713-644-5595
Fax: 713-644-6334
www.swtcb.com

Repair Checklist

- Recently Pulled from Service
- Routine Turnaround
- Pre-Installation
- Emergency Breakdown
- Thoroughly Clean Coupling
- Visually Inspect
 - Gouges / Dents / Mechanical Damage
 - Gearing or Flex Element for signs of wear or damage
- Dimensionally Inspect
 - Pilot Diameters and Bores
 - Spacer / Shaft Length
 - Gear Major Diameters and Tooth Tip Clearance
 - Gear Wear
- Magnetic Particle Inspection
- Fasteners
 - Reuse or replace with weight matched set
- Inspection Report and Rebuild Quote

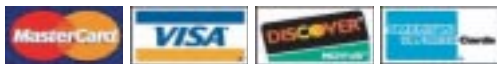
Information Required for Upgrade/New Design

Max. continuous power _____ HP or kw
 Speed Range _____ RPM
 Peak torque / overloads _____ Lb.-In. or N-m
 Thermal movements axial _____ In. or mm
 Angular _____ degrees parallel offset _____ In. or mm
 Distance between shaft ends _____ In. or mm
 Drive shaft size _____ In. or mm
 Straight, tapered, no. keys, size _____
 Load shaft size _____ In. or mm
 Straight, tapered, no. keys, size _____
 Minimum service factor _____
 Envelope Restrictions _____
 Weight _____ lbs.
 Torsional Stiffness _____ In.-lb./rad.



P. O. Box 4000
 Erie, PA USA 16512-4000
 Telephone: 814-480-5000
 Fax: 814-453-5891
www.ameridrives.com

Ameridrives accepts the following credit cards:



[Ameriflex® Diaphragm Couplings](#)
[Amerigear® Gear Couplings](#)
[Amerigear® Mill Spindles](#)
[Americardan™ Universal Joints](#)
[Amerigear® Metal Labyrinth Seal Couplings](#)
[Ameriflex® Diaphragm Couplings NC Series](#)
[Ameridrives® Repair and Maintenance](#)